

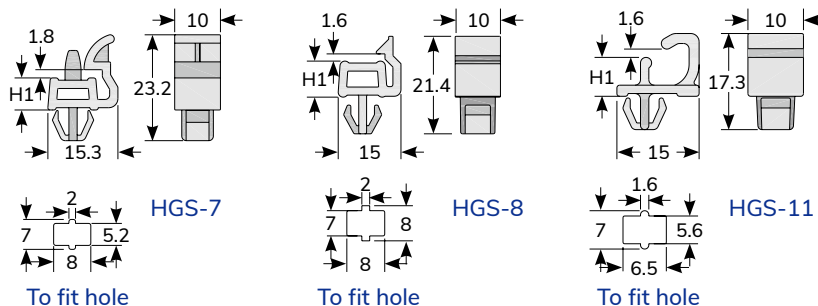
1119 KSS PCB SUPPORT

- Material: UL94V-2 flame rated, UL approved Nylon 66.
- Color: Natural
- Feature: Easy to install by hand without tool
- Application: Drill hole on chassis board and install spacer then fix on PC board.



UNIT : mm

Item No.	H1	Packing
HGS-7	7.0	100pcs
HGS-8	7.9	
HGS-11	7.0	



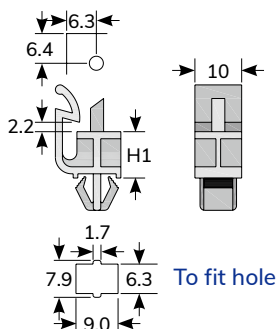
1120 KSS PCB SUPPORT

- Material: UL94V-2 flame rated, UL approved Nylon 66.
- Color: Natural



UNIT : mm

Item No.	H1	Packing
GS-10	10.0	100pcs



1120 KSS PCB SUPPORT

- Material: UL94V-2 flame rated, UL approved Nylon 66.
- Color: Natural



UNIT : mm

Item No.	H1	Packing
SWS-1	11.0	100pcs
SWS-2	10.0	

