

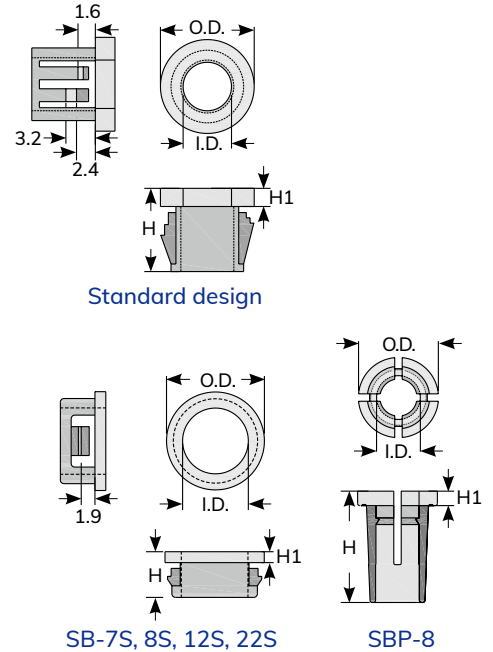
0710 KSS SNAP BUSHING

- Material: UL94V-2 flame rated, UL approved Nylon 66.
- Color: Black
- KSS SNAP BUSHING smooth and insulate your raw-edged holes in metal chassis.
- Locking into hole firmly with fingertip pressure.
- Protect electrical cables, ropes, utility lines through metal holes.
- Available in application for chassis thickness under 3.2mm



UNIT : mm

| Item No. | Mounting Hole | | Chassis Thickness | I.D. | O.D. | H | H1 | Packing |
|----------|---------------|---------|-------------------|------|------|------|-----|---------|
| | mm | inch | | | | | | |
| SB-7S | 7.1 | 9/32" | 1.8 | 5.8 | 8.8 | 6.1 | 1.3 | 100pcs |
| SB-8S | 7.9 | 5/16" | 1.8 | 6.8 | 9.8 | 6.0 | 1.5 | |
| SB-12S | 11.9 | 15/32" | 1.8 | 9.2 | 13.7 | 6.3 | 1.5 | |
| SB-22S | 22.2 | 7/8" | 1.8 | 19.6 | 24.0 | 6.5 | 1.5 | |
| SB-8 | 7.9 | | 1.6 | 5.8 | 10.5 | 8.0 | 1.6 | 100pcs |
| SB-8A | 7.9 | | 2.2 | 5.1 | 10.3 | 8.0 | 1.6 | |
| SBP-8 | 7.4 | | | 5.9 | 10.8 | 15.0 | 2.0 | |
| SB-10 | 9.5 | 3/8" | 3.2 | 6.4 | 12.0 | 10.3 | 1.6 | |
| SB-10M | 9.5 | 3/8" | 3.2 | 7.8 | 13.0 | 10.5 | 1.6 | |
| SB-13 | 12.7 | 1/2" | 3.2 | 8.0 | 15.0 | 10.3 | 1.6 | |
| SB-14 | 14.3 | 9/16" | 3.2 | 11.4 | 17.0 | 10.3 | 1.5 | |
| SB-16 | 15.9 | 5/8" | 3.2 | 12.7 | 18.6 | 10.3 | 1.6 | |
| SB-19 | 19.1 | 3/4" | 3.2 | 14.3 | 21.7 | 10.3 | 1.6 | |
| SB-19M | 19.1 | 3/4" | 3.2 | 15.8 | 21.7 | 10.3 | 1.6 | |
| SB-20 | 20.0 | | 3.2 | 15.9 | 22.4 | 10.0 | 1.4 | |
| SB-22 | 22.2 | 7/8" | 3.2 | 17.5 | 24.2 | 11.5 | 1.6 | |
| SB-22M | 22.2 | 7/8" | 3.2 | 18.9 | 24.2 | 11.5 | 1.6 | |
| SB-25 | 25.4 | 1" | 3.5 | 19.5 | 28.5 | 11.7 | 1.8 | |
| SB-26 | 25.4 | | 3.2 | 19.1 | 28.5 | 11.5 | 1.6 | |
| SB-30 | 30.1 | 1 3/16" | 3.2 | 24.1 | 33.3 | 11.5 | 1.6 | |
| SB-32 | 32.0 | | 3.5 | 23.8 | 34.6 | 11.4 | 1.5 | |
| SB-38 | 38.1 | 1 1/2" | 3.2 | 29.0 | 42.1 | 11.4 | 1.5 | |
| SB-45 | 44.5 | 1 3/4" | 3.2 | 35.4 | 47.8 | 11.6 | 1.5 | |
| SB-50 | 50.8 | 2" | 3.2 | 41.6 | 54.6 | 11.8 | 1.6 | |



0712 KSS SNAP BUSHING

- Material: UL94V-2 flame rated, UL approved Nylon 66.
- Color: Black
- Universal design to hold various cable range with a fix size.



UNIT : mm

| Item No. | Mounting Hole | | Chassis Thickness | I.D. | O.D. | H | Packing |
|----------|---------------|---------|-------------------|------|------|------|---------|
| | mm | inch | | | | | |
| RSB-16 | 15.9 | 5/8" | 3.2 | 12.7 | 20.5 | 10.3 | 100pcs |
| RSB-19 | 19.1 | 3/4" | 3.2 | 14.8 | 24.0 | 10.0 | |
| RSB-21 | 20.6 | 13/16" | 3.2 | 15.2 | 24.3 | 10.0 | |
| RSB-22 | 22.2 | 7/8" | 3.2 | 17.0 | 25.4 | 11.5 | |
| RSB-25S | 25.4 | 1" | 3.2 | 21.0 | 27.0 | 11.4 | |
| RSB-25 | 25.4 | 1" | 3.2 | 20.4 | 28.5 | 11.5 | |
| RSB-28 | 27.6 | 1 3/32" | 3.2 | 23.0 | 31.2 | 11.5 | |
| RSB-35 | 34.9 | 1 3/8" | 3.2 | 29.5 | 38.5 | 11.7 | |
| RSB-38 | 38.1 | 1 1/2" | 3.2 | 31.0 | 41.0 | 11.0 | |

