

0625 KSS METAL FLEXIBLE CONDUIT ADAPTOR

- Material: Zinc Alloy
- Feature: Waterproof, Corrosion resistance, Heat resistance.
- To Apply, putting NUT and SEAL on the end of metal flexible conduit, then screw CLAW of the metal adaptor into metal flexible conduit till tight.

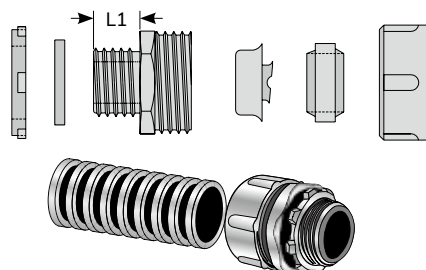
Control box adaptor

UNIT : mm

Item No.	Thread	Thread O.D.	Mounting Hole	L1	Suitable for metal flexible conduit	Packing
NBG-02	PT 1/4"	13.6	13.6+0.2	8.0	MCR-02 (1/4")	50pcs
NBG-03	PT 5/16"	15.5	15.5+0.2	8.3	MCR-03 (5/16")	
NBG-04	PT 1/2"	20.2	20.2+0.2	10.0	MCR-04 (3/8")	
NBG-05	PT 1/2"	20.2	20.2+0.2	12.3	MCR-05 (1/2")	
NBG-06	PT 3/4"	25.9	25.9+0.3	13.7	MCR-06 (3/4")	
NBG-08	PT 1"	32.3	32.3+0.3	14.7	MCR-08 (1")	
NBG-10	PT 1 1/4"	41.0	41.0+0.3	17.1	MCR-10 (1 1/4")	20pcs
NBG-12	PT 1 1/2"	47.1	47.1+0.3	19.4	MCR-12 (1 1/2")	10pcs
NBG-16	PT 2"	58.4	58.4+0.3	20.7	MCR-16 (2")	5pcs
NBG-20	PT 2 1/2"	74.1	74.1+0.4	24.2	MCR-20 (2 1/2")	1pcs
NBG-24	PT 3"	86.7	86.7+0.4	25.5	MCR-24 (3")	
NBG-32	PT 4"	112.0	112.0+0.5	30.8	MCR-32 (4")	



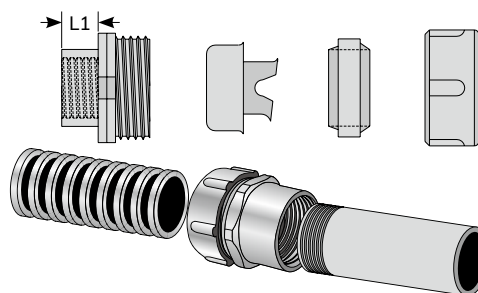
NBG



(Metal flexible conduit) NBG (control box adaptor)



FBG



(Metal flexible conduit) FBG (PT thread for metal pipe)

Inner thread type adaptor

UNIT : mm

Item No.	Thread	Thread I.D.	L1	Suitable for metal flexible conduit	Packing
FBG-04	PT 1/2"	19.2	12.2	MCR-04 (3/8")	50pcs
FBG-05	PT 1/2"	19.2	13.9	MCR-05 (1/2")	
FBG-06	PT 3/4"	25.0	13.9	MCR-06 (3/4")	
FBG-08	PT 1"	31.3	15.0	MCR-08 (1")	30pcs
FBG-10	PT 1 1/4"	40.2	21.1	MCR-10 (1 1/4")	20pcs
FBG-12	PT 1 1/2"	45.8	19.9	MCR-12 (1 1/2")	10pcs
FBG-16	PT 2"	57.3	23.3	MCR-16 (2")	5pcs
FBG-20	PT 2 1/2"	73.3	24.5	MCR-20 (2 1/2")	1pcs
FBG-24	PT 3"	85.8	27.7	MCR-24 (3")	
FBG-32	PT 4"	110.8	25.5	MCR-32 (4")	

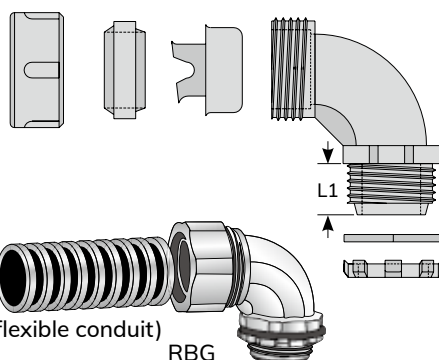
L type adaptor for control box

UNIT : mm

Item No.	Thread	Thread O.D.	Mounting Hole	L1	Suitable for metal flexible conduit	Packing
RBG-04	PT 1/2"	20.2	20.2+0.2	12.5	MCR-04 (3/8")	50pcs
RBG-05	PT 1/2"	20.2	20.2+0.2	13.6	MCR-05 (1/2")	
RBG-06	PT 3/4"	25.9	25.9+0.3	15.0	MCR-06 (3/4")	
RBG-08	PT 1"	32.3	32.3+0.3	15.7	MCR-08 (1")	30pcs
RBG-10	PT 1 1/4"	41.0	41.0+0.3	16.8	MCR-10 (1 1/4")	20pcs
RBG-12	PT 1 1/2"	47.1	47.1+0.3	17.8	MCR-12 (1 1/2")	10pcs
RBG-16	PT 2"	58.4	58.4+0.3	20.1	MCR-16 (2")	5pcs
RBG-20	PT 2 1/2"	74.1	74.1+0.4	26.0	MCR-20 (2 1/2")	1pcs
RBG-24	PT 3"	86.7	86.7+0.4	26.2	MCR-24 (3")	
RBG-32	PT 4"	112.0	112.0+0.5	29.1	MCR-32 (4")	



RBG



(Metal flexible conduit) RBG (control box adaptor)