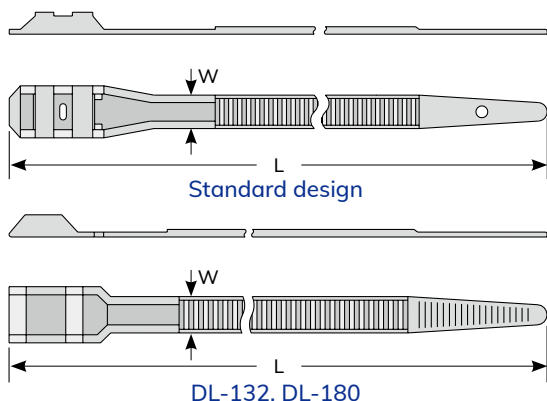


0320 KSS DOUBLE LOCKING CABLE TIE

- Material : UL94V-2 flame rated, UL approved Nylon 66 or UL94HB flame rated, UL approved Nylon 12.
- Color: Natural, Black.
- Single locking head: DL-132, DL-180



◆ NYLON 66 Single locking

Item No.		Length		W	Max. Bundle Dia.	Min. LoopTensile Strength		Packing
Natural	Black	mm	inch	mm	mm	lbs	kgs	
DL-132	DL-132BK	132	5 1/8"	9	25	79	36	100pcs
DL-180	DL-180BK	180	7"	9	40	79	36	

◆ NYLON 66 Double locking

Item No.		Length		W	Max. Bundle Dia.	Min. LoopTensile Strength		Packing
Natural	Black	mm	inch	mm	mm	lbs	kgs	
DL-235	DL-235BK	235	9 1/4"	9	53	120	55	100pcs
DL-265	DL-265BK	265	10 1/2"	9	78	120	55	
DL-300	DL-300BK	300	11 7/8"	9	88	120	55	
DL-360	DL-360BK	360	14 1/4"	9	100	120	55	
DL-510	DL-510BK	510	20"	9	150	120	55	
DL-610	DL-610BK	610	24"	9	180	120	55	
DL-760	DL-760BK	760	30"	9	230	120	55	

◆ NYLON 12 Single locking

Item No.	Length		W	Max. Bundle Dia.	Min. LoopTensile Strength		Packing
Black	mm	inch	mm	mm	lbs	kgs	
DL-132N12BK	132	5 1/8"	9	25	55	25	100pcs
DL-180N12BK	180	7"	9	40	55	25	

◆ NYLON 12 Double locking

Item No.	Length		W	Max. Bundle Dia.	Min. LoopTensile Strength		Packing
Black	mm	inch	mm	mm	lbs	kgs	
DL-235N12BK	235	9 1/4"	9	53	112	51	100pcs
DL-265N12BK	265	10 1/2"	9	78	112	51	
DL-300N12BK	300	11 7/8"	9	88	112	51	
DL-360N12BK	360	14 1/4"	9	100	112	51	
DL-510N12BK	510	20"	9	150	112	51	
DL-610N12BK	610	24"	9	180	112	51	
DL-760N12BK	760	30"	9	230	112	51	